

Security Products, Inc.

DBA: RB Enterprises

Security Latch Custom Order Form

Telephone: 800-452-5276

Fax: 559-642-2699

CUSTOMER WORKSHEET PAGE 1

Please complete this form to determine if your doors can be secured by our standard security latches.


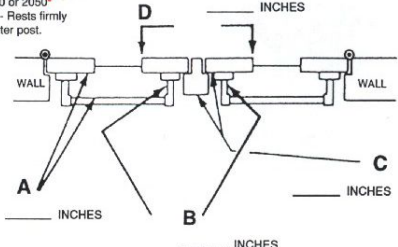
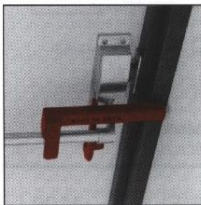
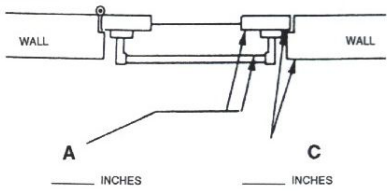
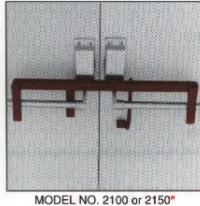
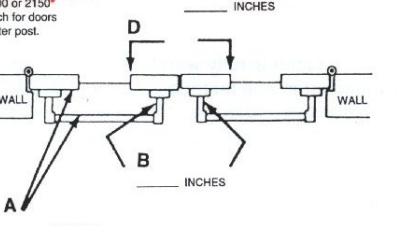
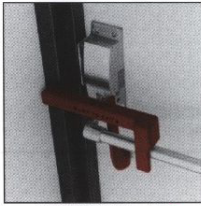
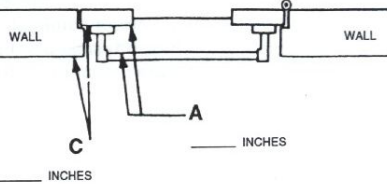
All dimensions must be filled in completely. Give all measurements in inches.

A The distance between the inside face of the door and the panic bar. NOTE: The panic bar mechanism must be in the locked or released position to make this measurement.

B The distance across the panic bar hinge arms.

C The distance from the inside face of the door to the inner most surface of the center post.

D For doors with glass, please include dimension D. The distance between the glass windows.

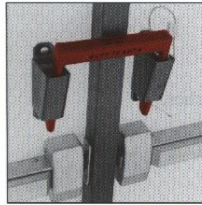
<div style="display: flex; justify-content: space-between;"> <div style="width: 25%;">  <p style="font-size: small;">MODEL NO. 2000 or 2050* Double Door Latch -- Rests firmly against the center post.</p> </div> <div style="width: 70%;"> <p>MODEL NO. 2000 <input type="checkbox"/> 2050 <input type="checkbox"/></p> <p>QTY. _____ DOOR _____ BLDG. _____</p> </div> </div> <div style="text-align: center; margin-top: 10px;">  <p style="font-size: small;">Standard Latch Dimensions A - 3" B - 9" or less C - 2" D - 12" or more</p> </div>	<div style="display: flex; justify-content: space-between;"> <div style="width: 25%;">  <p style="font-size: small;">MODEL NO. 1200 or 1250* Single Right Door Latch -- Rests firmly against door jamb.</p> </div> <div style="width: 70%;"> <p>MODEL NO. 1200 <input type="checkbox"/> 1250 <input type="checkbox"/></p> <p>QTY. _____ DOOR _____ BLDG. _____</p> </div> </div> <div style="text-align: center; margin-top: 10px;">  <p style="font-size: small;">Standard Latch Dimensions A - 3" C - 3"</p> </div>
<div style="display: flex; justify-content: space-between;"> <div style="width: 25%;">  <p style="font-size: small;">MODEL NO. 2100 or 2150* Double Door Latch for doors without a center post.</p> </div> <div style="width: 70%;"> <p>MODEL NO. 2100 <input type="checkbox"/> 2150 <input type="checkbox"/></p> <p>QTY. _____ DOOR _____ BLDG. _____</p> </div> </div> <div style="text-align: center; margin-top: 10px;">  <p style="font-size: small;">Standard Latch Dimensions A - 3" B - 6 1/2" D - 5" or more</p> </div>	<div style="display: flex; justify-content: space-between;"> <div style="width: 25%;">  <p style="font-size: small;">MODEL NO. 1100 or 1150* Single Left Door Latch -- Rests firmly against door jamb.</p> </div> <div style="width: 70%;"> <p>MODEL NO. 1100 <input type="checkbox"/> 1150 <input type="checkbox"/></p> <p>QTY. _____ DOOR _____ BLDG. _____</p> </div> </div> <div style="text-align: center; margin-top: 10px;">  <p style="font-size: small;">Standard Latch Dimensions A - 3" C - 3"</p> </div>

* Models equipped with cable lock

Security Latch Custom Order Form

CUSTOMER WORKSHEET PAGE 2

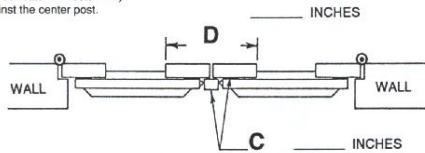
FLUSH MOUNT MODEL LATCHES



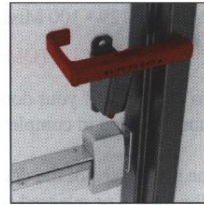
MODEL NO. 4000 or 4050*
Double Door Latch -- Rests firmly against the center post.

MODEL NO. 4000
4050

QTY. _____
DOOR _____
BLDG. _____



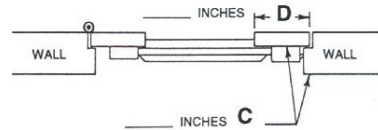
Standard Latch Dimensions
C - 2" D - 10" or more



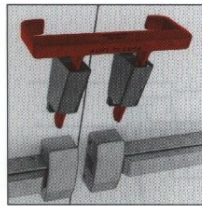
MODEL NO. 4200 or 4250*
Single Right Door Latch -- Rests firmly against door jamb.

MODEL NO. 4200
4250

QTY. _____
DOOR _____
BLDG. _____



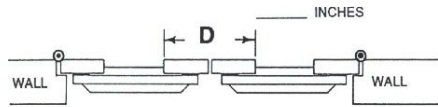
Standard Latch Dimensions
C - 4" D - 5" or more



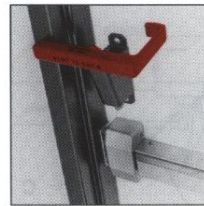
MODEL NO. 4100 or 4150*
Double Door Latch for doors without a center post.

MODEL NO. 4100
4150

QTY. _____
DOOR _____
BLDG. _____



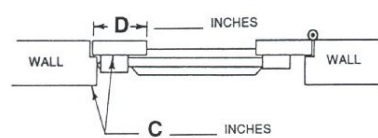
Standard Latch Dimensions
D - 12" or more



MODEL NO. 4300 or 4350*
Single Left Door Latch -- Rests firmly against door jamb.

MODEL NO. 4300
4350

QTY. _____
DOOR _____
BLDG. _____



Standard Latch Dimensions
C - 4" D - 5" or more

CONSUMER TESTED

Security Latch is currently being Successfully used throughout the country. School administrators, theater owners, churches, physical plant directors, and security personnel are just a few of the satisfied users of Security Latch.

THE SECURITY LATCH WARRANTY

Security Latch is fully warranted against defects in workmanship and materials for one full year. If anything goes wrong during this time, we will replace your Security Latch absolutely free -- including any shipping charges!

Security Latch is intended for unoccupied use only!