

THE PEEKO REVOLVING DOOR VIEWER

See outside without being seen, engineered to provide a full 140° of visibility.

Revolves to provide an extra measure of safety, a 40 degree extra view.

Stamped Brass components and the finest crystal glass lenses.



595 x US-5
Antique Brass



595 x US-4
Satin Brass



595 x US-3
Polished Brass



595 x US-15A
Antique Nickel



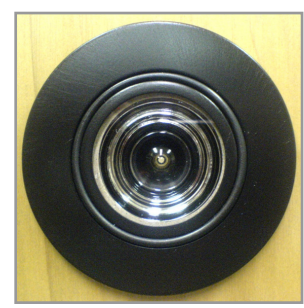
595 x US-11
Antique Bronze



595 x US-10
Satin Bronze



595 x US-26
Polished Chrome



595 x US-10B
Oil Rubbed Bronze



595 x US-26D
Satin Chrome



1-800-45-ALARM

30950 Corral Drive, Suite B, Coarsegold, CA 93614
rbe@SecurityProductsInc.com

www.SecurityProductsInc.com

THE PEEKO REVOLVING DOOR VIEWER

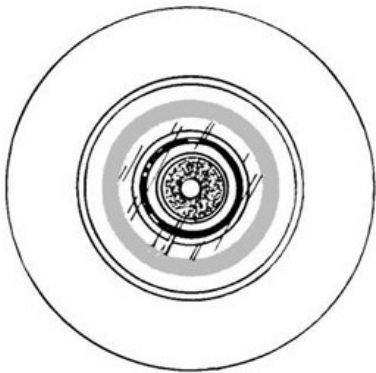
PEEK-O

"The seeing eye for doors"

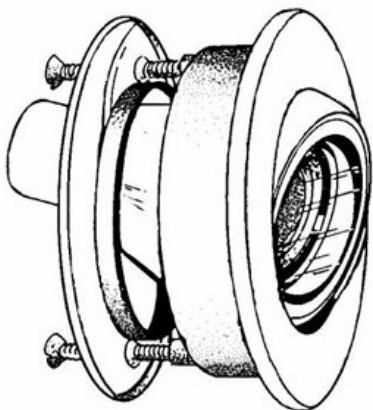
® *Revolving*
DOOR VIEWER



The Finest At Any Price



ACTUAL SIZE IS 2 3/4" DIAMETER



SIDE VIEW BORE 2 3/8"

For Doors 1" to 2" in Thickness

Approved by Board of Standards and Appeals for use in New York City, under Cal. No. 663-67-SM

Made in USA

MODEL NO.	CODE	FINISH
595 x US-3.....	605.....	Polished Brass
595 x US-4.....	606.....	Satin Brass
595 x US-5.....	609.....	Antique Brass
595 x US-10.....	612.....	Satin Bronze
595 x US-11.....	616.....	Antique Bronze
595 x US-15A.....	620.....	Antique Nickel
595 x US-26.....	625.....	Polished Chrome
595 x US-26D.....	626.....	Satin Chrome

Eliminates Fear of Opening Door

You
Can
See
Out-



No One
Can
See
In!

INTERIOR VIEW

Engineered to provide a full 140° of visibility. Revolves to provide an extra measure of viewing and safety.



 **SecurityProducts**
INCORPORATED

1-800-45-ALARM
30950 Corral Drive, Suite B, Coarsegold, CA 93614
rbe@SecurityProductsInc.com
www.SecurityProductsInc.com